

# INSTALLATION MANUAL

# 18112

## Level of Difficulty

Easy

## Parts List

Qty	Description	#
1	Bottom bracket	1
4	U-clamp	2
9	Lock nut, M10	3
4	Eye bolt, M10 x 45mm	4
1	Carrier frame	5
1	Fixed plate	6
1	Button socket cap screw, M10 x 25mm	7
2	Eye bolt, M10 x 20mm	8
1	Flat washer, M10	9
1	Shank assembly	10
1	Hex head bolt, M16	11
1	Lock nut, M16	12
1	Pin	13
2	Clip	14
1	Anti-rattle hitch pin, M16	15
1	Spring washer, M16	16
1	Flat washer, M16	17
2	Button socket cap screw, M10 x 20mm	18
1	Upper ramp	19
1	Lower ramp	20

## Tools Required

Open wrench, 17mm	Adjustable wrench
Open wrench, 24mm	Socket, 17mm
Torque wrench	Hex key, 6mm

## Weight Capacities

Weight capacity	500 lbs.	227 kg
-----------------	----------	--------

## ⚠ WARNING

Do not carry flammable items on the carrier. Do not allow exhaust fumes to blow directly on items in the carrier. This is a fire hazard.

## Product Photo



## Notes and Maintenance

Before you begin installation, read all instructions thoroughly.

Distribute the weight evenly on the platform when hauling a load. This carrier is not intended for transporting people.

Do not carry loads wider or deeper than the carrier.

Proper tools will improve the quality of installation and reduce the time required.

Mild automotive detergent may be used to clean the product. Do not use dish detergent, abrasive cleaners, abrasive pads, wire brushes or other similar products that may damage the finish.

## Product Registration

CURT Group stands behind our products with industry leading warranties. You can help us continue to improve our product line and help us understand your needs by registering your purchase by visiting:

[warranty.curtgroup.com/surveys](http://warranty.curtgroup.com/surveys)

At CURT Group, customer is king. We value your feedback and we use that information to make improvements on our products. Please, take a minute and let us know how we are doing.

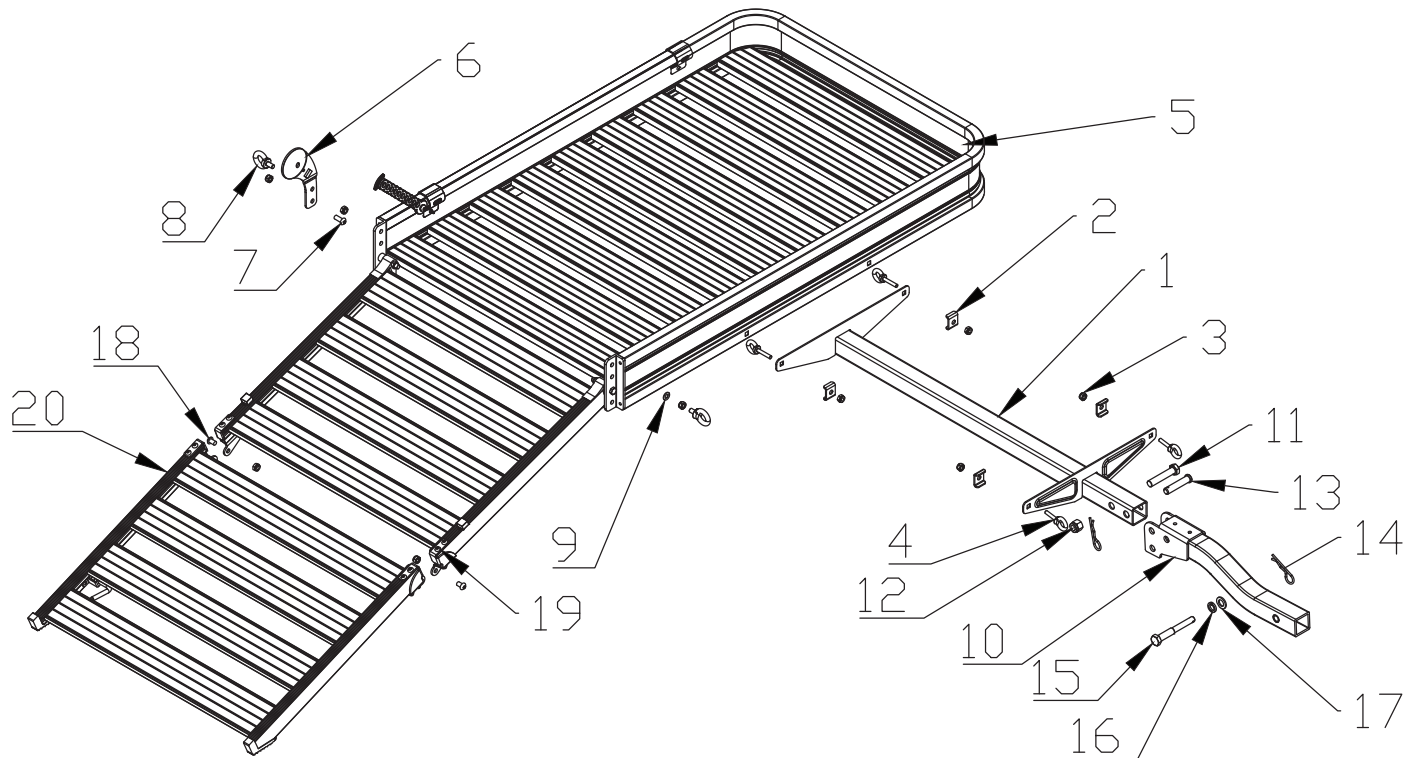
# ASSEMBLY

## Parts List

Qty	Description	#
1	Bottom bracket	1
4	U-clamp	2
9	Lock nut, M10	3
4	Eye bolt, M10 x 45mm	4
1	Carrier frame	5
1	Fixed plate	6
1	Button socket cap screw, M10 x 25mm	7
2	Eye bolt, M10 x 20mm	8
1	Flat washer, M10	9
1	Shank assembly	10

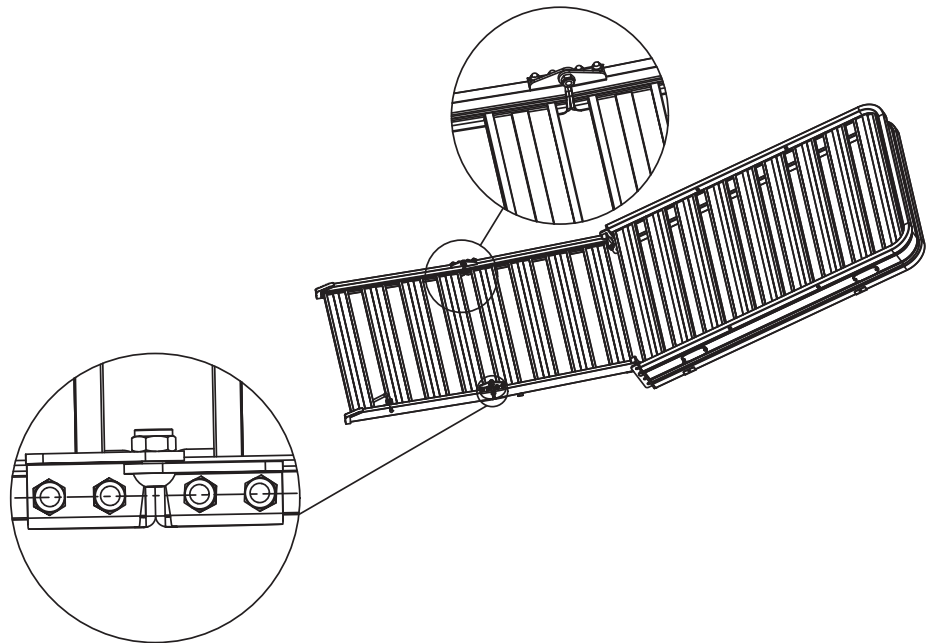
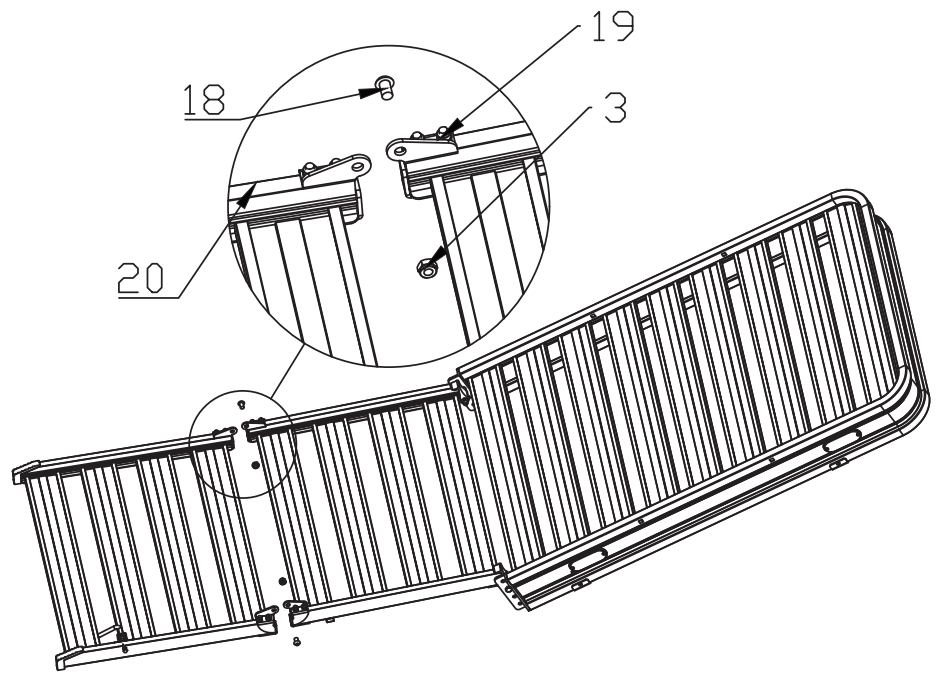
## Parts List

Qty	Description	#
1	Hex head bolt, M16	11
1	Lock nut, M16	12
1	Pin	13
2	Clip	14
1	Anti-rattle hitch pin, M16	15
1	Spring washer, M16	16
1	Flat washer, M16	17
2	Button socket cap screw, M10 x 20mm	18
1	Upper ramp	19
1	Lower ramp	20



## Step 1

Align the holes in the upper ramp (#19) and lower ramp (#20) hinge brackets. Insert an M10 button socket cap screw (#18) into each hinge. Secure with an M10 lock nut (#3), ensuring the hinge operates freely.



## Step 2

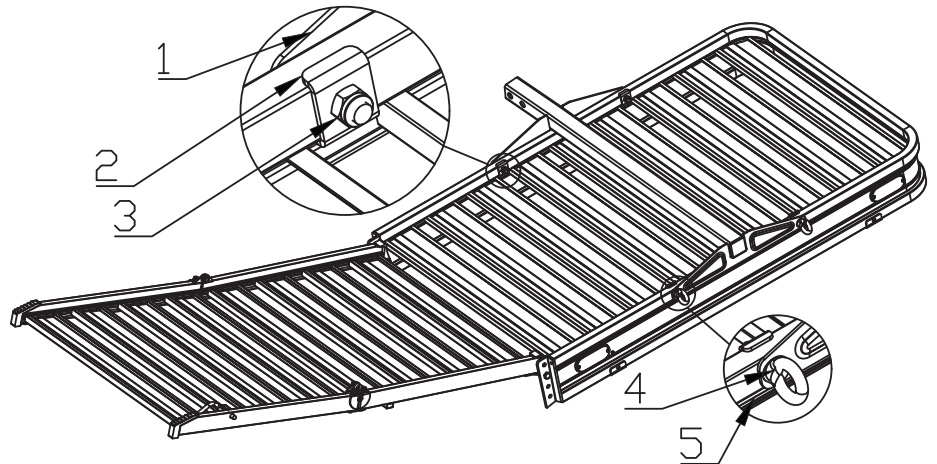
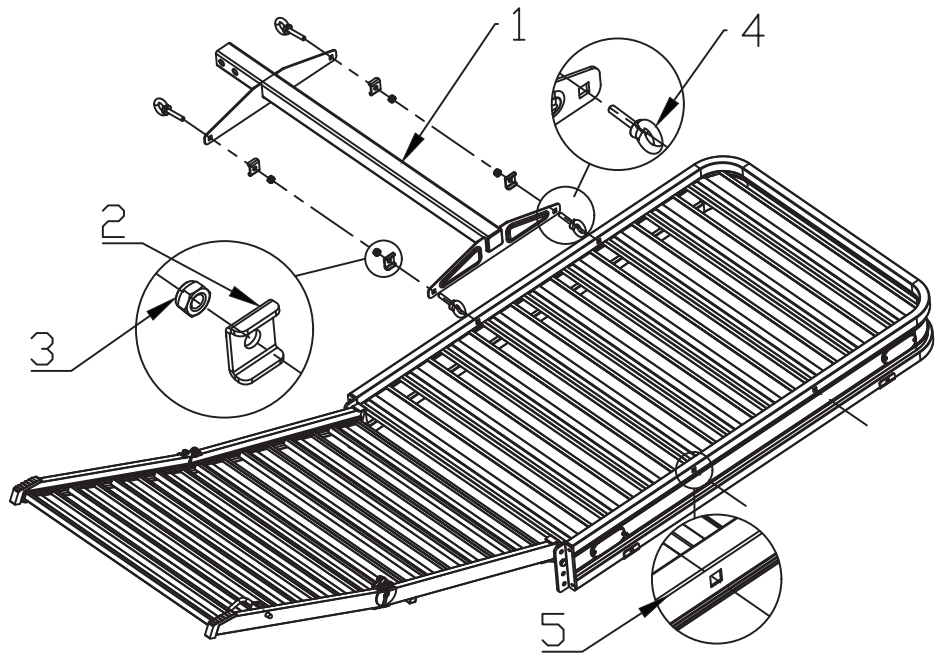
Place the bottom bracket (#1) on the bottom of the carrier frame (#5) and line up the square holes.

Insert an M10 eye bolt (#4) through the bottom bracket, carrier frame and U-clamp (#2) in all four locations.

**Note:** The head of the eye bolt will be on the outside of the carrier frame.

Secure with M10 lock nuts (#3).

Snug the hardware, but do not fully tighten.



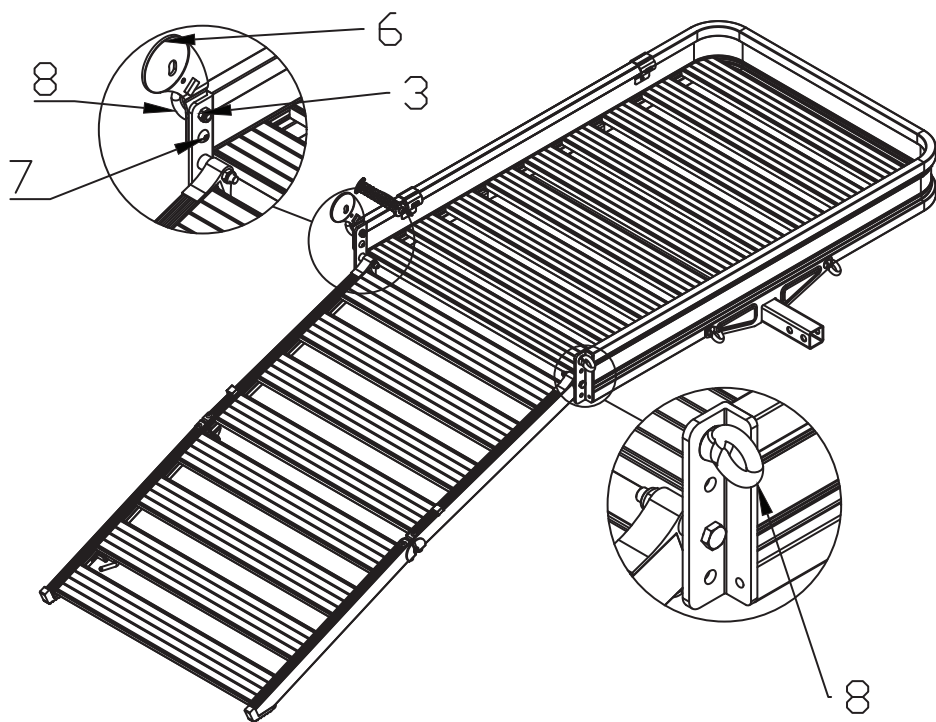
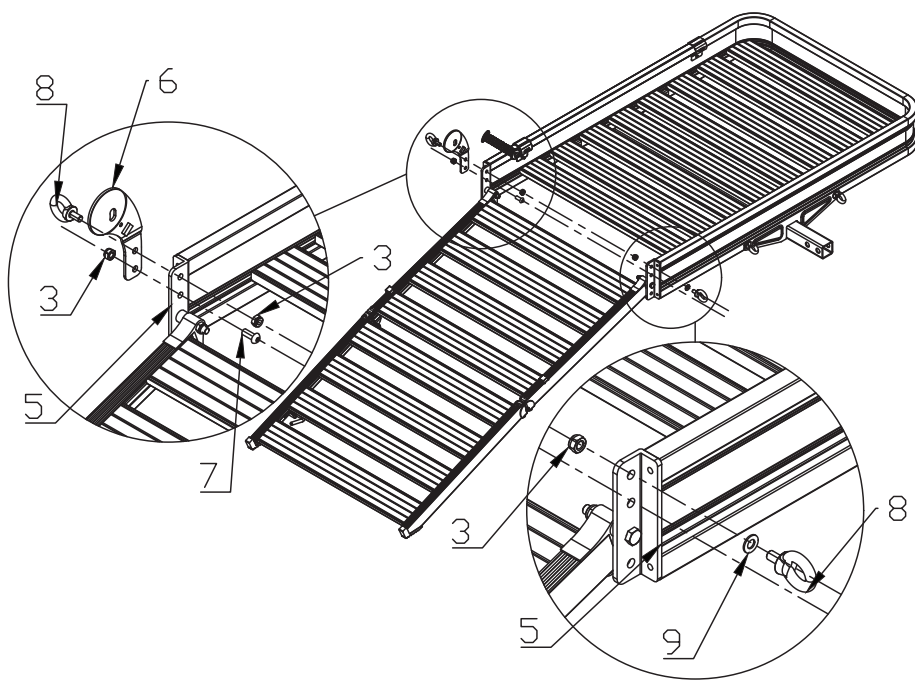
### Step 3

Mount the fixed plate (#6) to the carrier frame (#5) by inserting an M10 eye bolt (#8) through the upper hole in the fixed plate and the upper hole in the carrier frame as shown. Secure with an M10 lock nut (#3).

Insert an M10 button socket cap screw (#7) through the lower hole in the carrier frame and the lower hole in the fixed plate. Secure with an M10 lock nut.

Insert M10 eye bolt into top hole of carrier frame as shown. Slide M10 flat washer (#9) onto eye bolt. Secure with an M10 lock nut.

At this time, torque all M10 hardware in steps 2 and 3 to 12 ft-lbs.



#### Step 4

Install the shank assembly (#10) on the bottom bracket (#1) by aligning the two upper holes in the shank assembly with both holes in the bottom bracket.

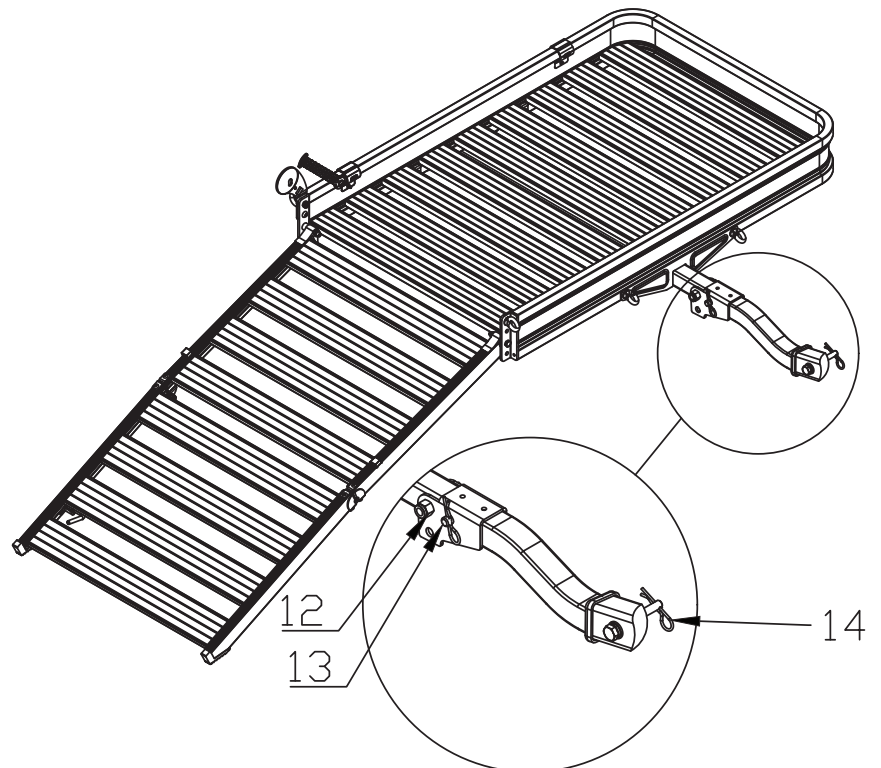
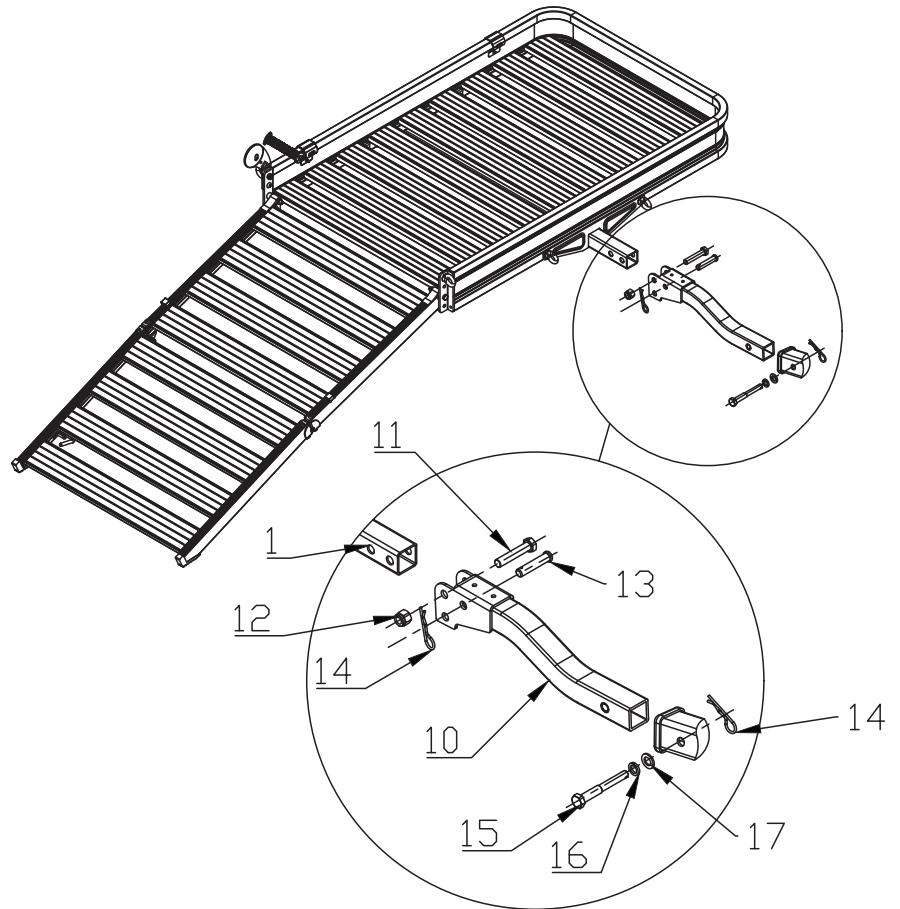
Insert an M16 hex head bolt (#11) through the hole in the shank assembly and bottom bracket nearest to the cargo area. Secure with an M16 lock nut (#12), tightening until shank assembly still pivots freely.

Insert pin (#13) into the other upper hole on the shank assembly and bottom bracket and secure with a clip (#14).

Insert the shank assembly into the vehicle's receiver tube, aligning the hole in the shank assembly with the hole in the receiver.

Insert the M16 spring washer (#16) and M16 flat washer (#17) onto the M16 anti-rattle hitch pin (#15). Insert the M16 hitch pin through the receiver tube and the shank assembly hole. Tighten until there is no longer any rattle.

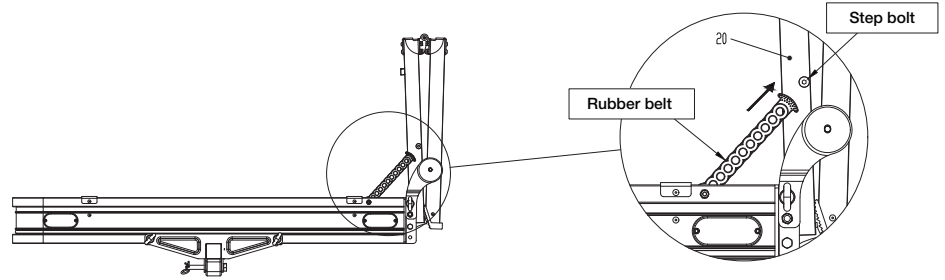
Insert a clip through the M16 hitch pin.



## Step 5

With the ramp in the upright position, fasten the rubber belt on the step bolt of the ramp.

**Note:** To properly align the locking pin and the fixed plate, the upper ramp (19) and the rubber foot of the lower ramp (20) must be in contact with each other. Both sections of the ramp need to be moved together to allow the proper angle for the locking pin to align with the hole on the fixed plate.



## Folding the cargo basket

