

1-14 UNS - 2A
 Ø11/64 THRU
 √ Ø .250 X 60°
 1/8 X 45° Chamfer
 1/32 X 45° Chamfer

Ø1.062
 R1/8

Ø1.188

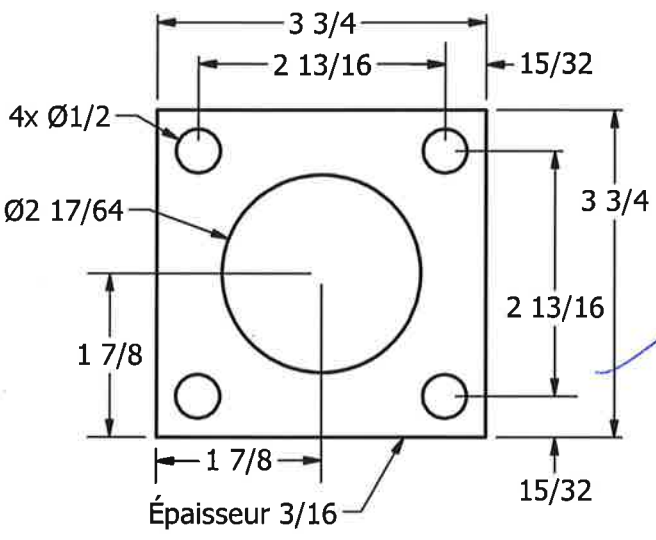
Ø1.376
 R1/8

Ø1.719
 Ø1.925
 R1/4

Ø2.265

Ø2.457
 125°

1/32 X 45° Chamfer



DRAWN Vincent Roy	2009-06-16	Frameco Itée	
CHECKED		TITLE	
QA		Spindle 2500-3500 lbs	
MFG		1006 G	
APPROVED		SIZE A	DWG NO
		SCALE	REV
		SHEET 1 OF 1	

30