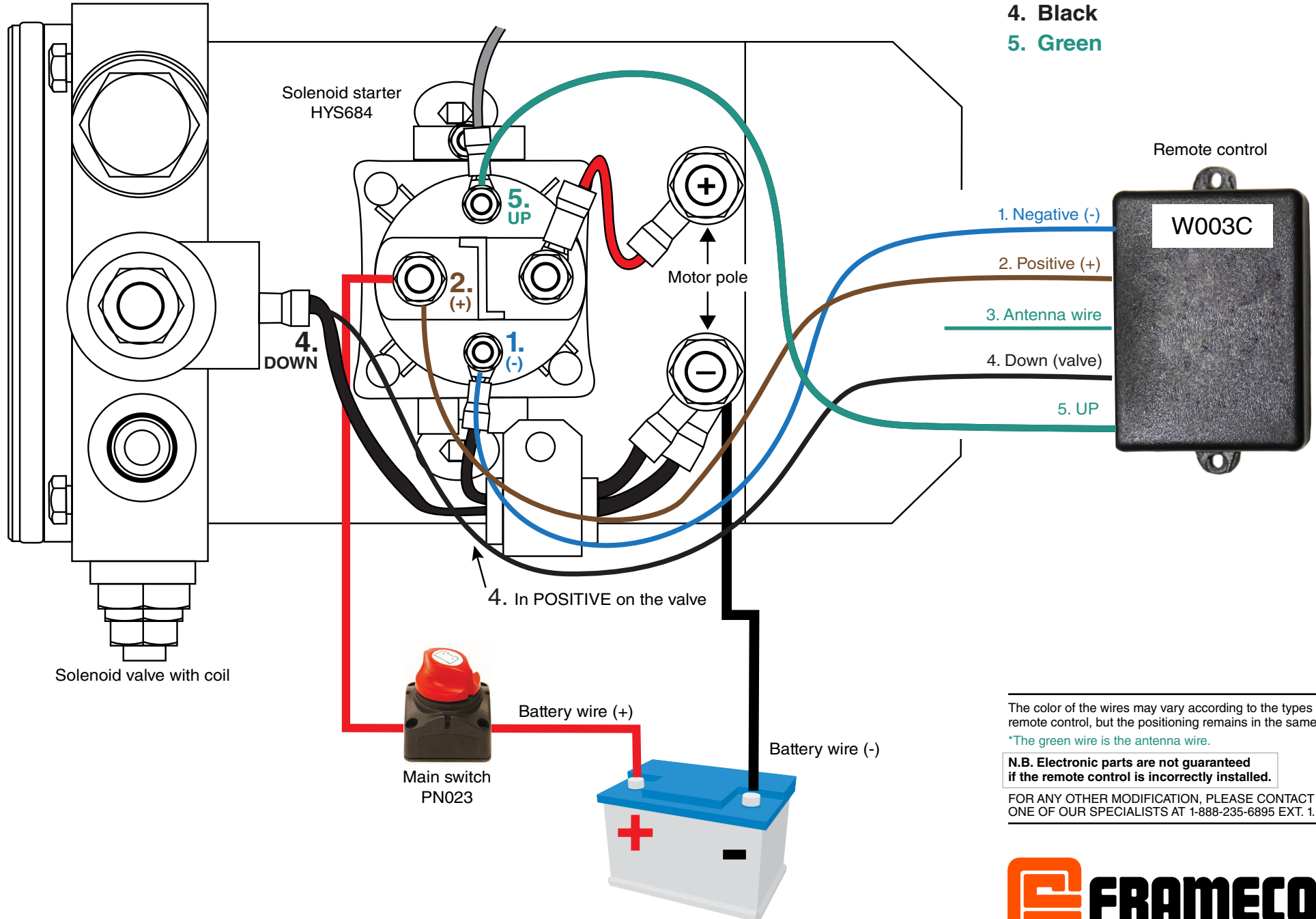


CONNECTION PLAN FOR WIRELESS REMOTE CONTROL (SINGLE-ACTING POWER UNIT)

- 1. Blue
- 2. Brown
- 3. Green (antenna wire)
- 4. Black
- 5. Green



The color of the wires may vary according to the types of remote control, but the positioning remains in the same order.
 *The green wire is the antenna wire.

N.B. Electronic parts are not guaranteed if the remote control is incorrectly installed.

FOR ANY OTHER MODIFICATION, PLEASE CONTACT ONE OF OUR SPECIALISTS AT 1-888-235-6895 EXT. 1.

